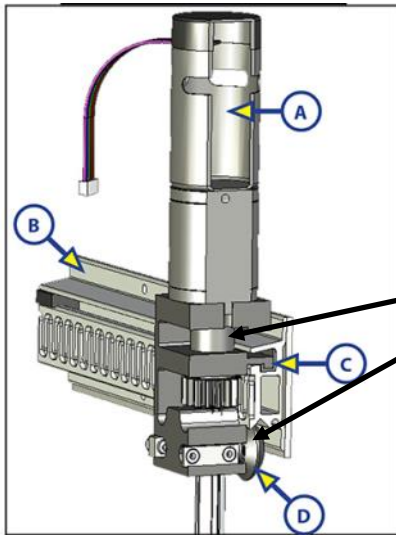


Schwintek/Lippert Slide Maintenance

Proper maintenance of the Schwintek (now called Lippert In-Wall Slide) slide system includes regular lubrication of the gears, bearings and V rollers. Other than keeping the slides in sync by holding the retract/extend buttons until all sounds cease from the slides, there's really not much to maintain. The mechanism should be lubricated every few months, depending on usage.

The only lubricant recommended by Lippert/Schwintek is the CRC Power Lube with PTFE. A curved spray tube allows easy reach into the gap between the slide box and the rubber seal. Pull the rubber seal back to allow access and liberally spray both the upper gear motor bearing block and the V roller under the upper track. Then do the same thing with the lower track. Just flip the spray tube over for access to the track on the opposite side of the slide.



Callout	Description
A	Motor
B	Gear Rack
C	Shoe
D	V-Roller

Lubricate in Two Places

Upper Track Assembly With Motor and Gearbox



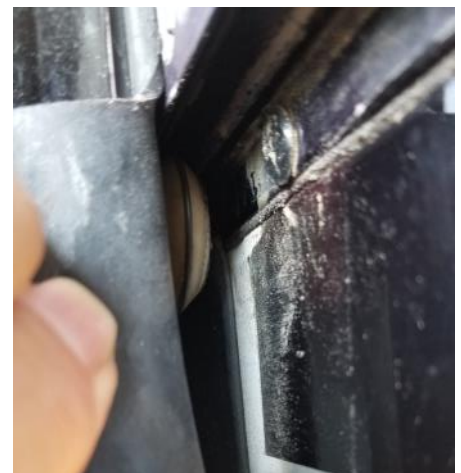
CRC Power Lube w/PTFE



Bend the Spray Tube in a Curve



Seal Pulled to Expose Upper Bearing Block



V Roller Under the Track



IN-WALL™ SLIDE-OUT ASSEMBLY

SLIDE-OUTS

